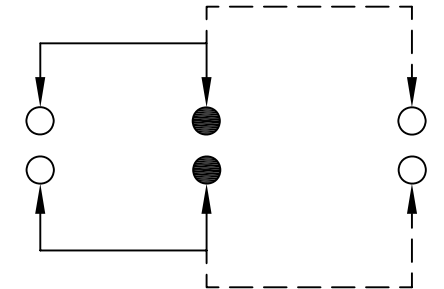
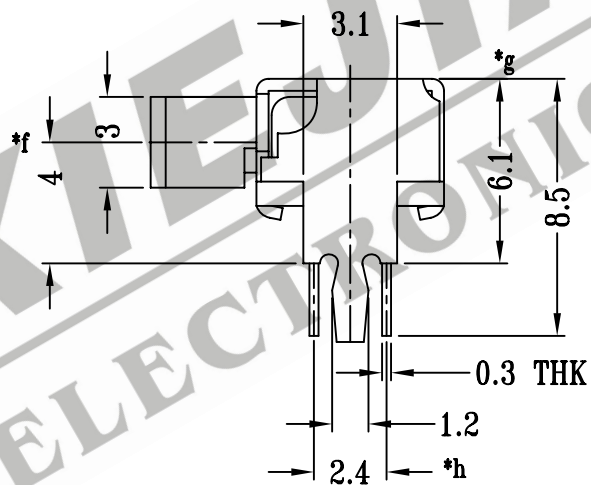
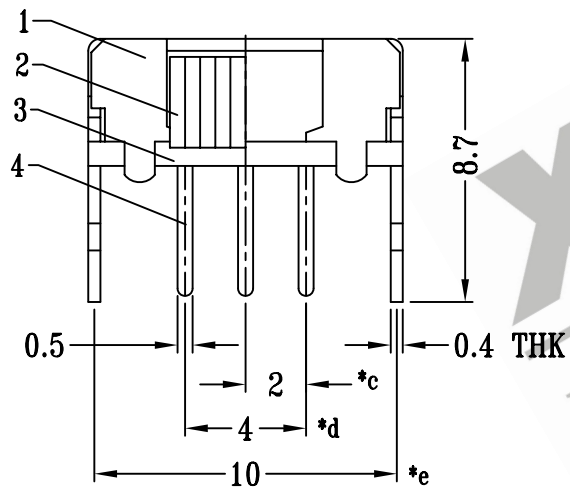
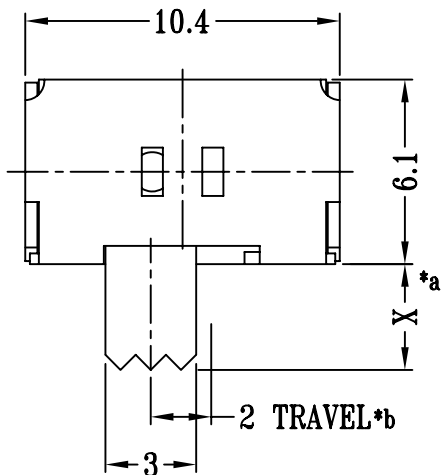
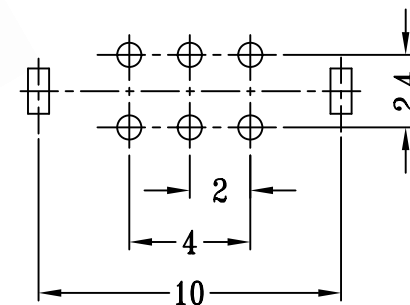


CAD FILE:



SCHEMATIC (NON-SHORTING)



P.C.B LAYOUT

注:带"*"表示关键尺寸(8个)

NO.	PARTS	MATERIALS	Q'TY	FINISH	TOLERANCE UNLESS SPECIFIED	SHENZHEN XIEJIA ELECTRONICS CO.,LTD.						
8						TITLE : HORIZONTAL SLIDE SWITCH						
7										UNIT : MM		
6	CONTACT CLIP	PBS	2	Ag CLAD	WITHIN: 1.5±0.1mm OVER: 1.5±0.2mm	ISSUE		DATE				
5	SPRING PLATE	STAINLESS STEEL	1	NATURAL		MODEL: SK-22D45		SCALE: 4:1		DWN.	ZHOUYU	2004-12-9
4	TERMINAL	BRASS STRIP	6	Ag PLATED OVER Ni PLATED						CHK'D	FANGYING	2004-12-9
3	BASE	PHENOLIC RESIN	1	NATURAL						APPD.	KANGXINAN	2004-12-9
2	KNOB	POM	1	BLACK						ALL MATERIALS MUST BE COMPLIANT TO ROHS		
1	FRAME	STEEL STRIP	1	Ni PLATED								